

omni fires hole in the wall

omni fires are also available as hang on the wall models

Hole in the wall fires.
Omni glass with a tinted, toughened mirrored glass front and open fuel bed.
Omni argento silver frame round glass door.

Both models available as hang on the wall fires with outer casing. Hang on the wall projection from the wall xx mm.
Wall 'footprint' xx mm (h) xx mm (w).



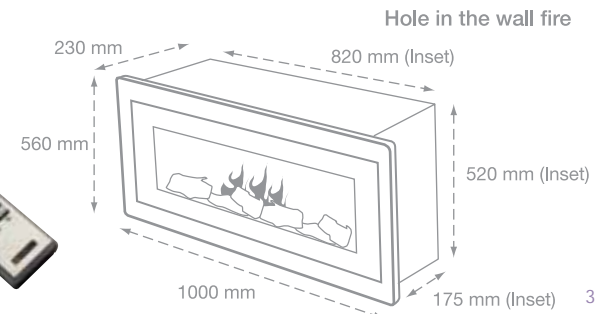
Omni argento fire



Omni glass fire

Products protected from copying Patents 2386680, 2377752, 0510205.8; Registered Designs 3009214, 3006217.

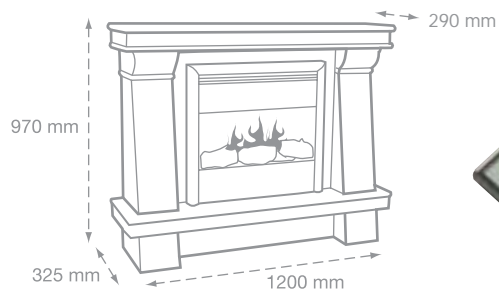
- Realistic flame animation • Unique separately controllable fuel radiance • Fuel and flame fade up on activation, down on deactivation • Panoramic flame/log effect for maximum impact
- Multifunction remote control including double dimmer for flames and logs • Internal manual override control panel • Flame without heat setting • Hidden heater technology, 1000W/2000W • Supplied remote may differ from model shown.



overture suite



Products protected from copying Patents 2386680, 2377752, 0510205.8, Registered Designs 3009214, 3006217.



- Easy installation, floor standing so no inset required
- Unique separately controllable fuel radiance
- Fuel and flame fade up on activation, down on deactivation
- Multifunction remote control including double dimmer for flames and logs
- Internal manual override control panel
- Flame without heat setting
- Minimal fan heater outlet, 750W/1500W
- Glass front with easy lamp change
- Surround colour: Portland
- Supplied remote may differ from model shown.

otello fires

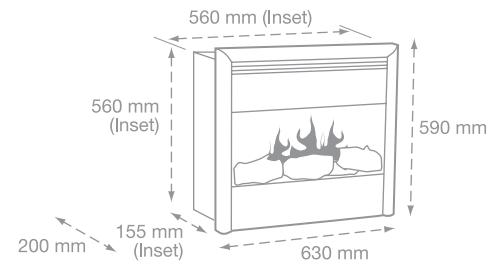


otello 3

Three sided floor standing fire with spacer.
Three sided frame in silver aluminium or brass.
Projection from wall xx mm.
Wall 'footprint' (h) 590 mm x (w) 630 mm.



Otello 4 Four sided hole in the wall fire • Unique separately controllable fuel radiance • Fuel and flame fade up on activation, down on deactivation • Multifunction remote control including double dimmer for flames and logs • Internal manual override control panel • Flame without heat setting • Minimal fan heater outlet, 750W/1500W • Glass front with easy lamp change
• Supplied remote may differ from model shown.



sonata fire



sonata fire

Shown above with spacer.

Fire dimensions:

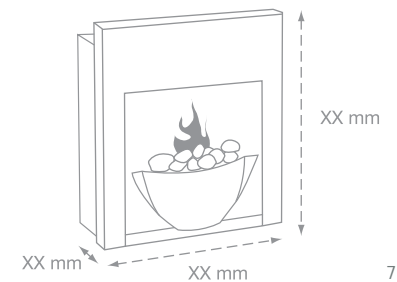
(h) 605 mm x (w) 565 mm x (d) 185 mm

Inset dimensions:

(h) 550 mm x (w) 400 mm x (d) 140 mm



- Contemporary inset fire
- Multifunction remote control including dimmer
- Flame without heat setting
- Hidden heater technology 1000W/2000W
- Pebbles supplied as standard, lava rock or driftwood as a cost option
- Supplied remote may differ from model shown.

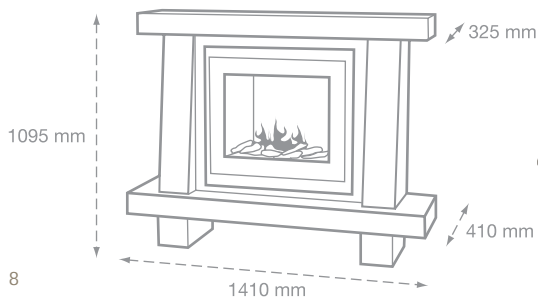


odyssey suite



Products protected from copying Patents 2386680, 2377752, 0510205.8; Registered Designs 3009214, 3006217.

amber interior version with driftwood option



- Easy installation, floor standing so no inset required
- Multifunction remote control including dimmer
- Manual override control panel
- Hidden heater technology, 1000W/2000W
- Flame without heat setting
- Ease of access for bulb change
- Flame chamber set behind a glass screen
- Curved flame effect
- Choice of fuel effects, either pebbles as standard, lava rock, woodland log or driftwood as a cost option
- Choice of two fire interior colours white or amber
- Surround colour: Cotswold
- Supplied remote may differ from model shown.

odyssey fire hang on the wall



amber interior version with woodland log option

odyssey hole in the wall fire

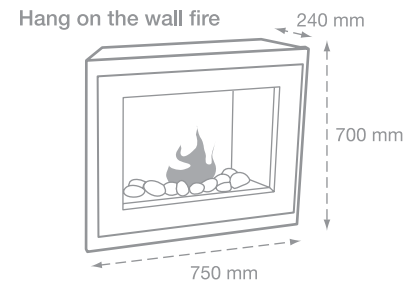
Fire dimensions:
(h) 670 mm x (w) 707 mm x (d) 280 mm

Inset dimensions:
(h) 660 mm x (w) 600 mm x (d) 250 mm



white interior version

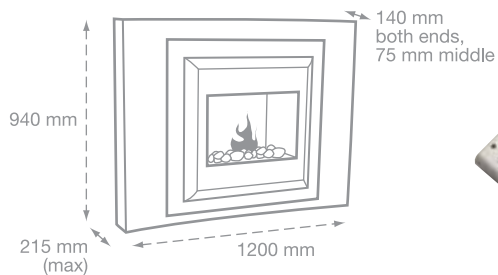
- Easy installation, surface mounted so no inset required
- Multifunction remote control including dimmer
- Choice of fire interior colours, white or amber
- Glass front screen
- Curved flame effect
- Flame without heat setting
- Hidden heater technology, 1000W/2000W
- Choice of fuel effects either pebbles as standard, lava rock, woodland log or driftwood as a cost option
- Simple lamp change, no tools needed
- Supplied remote may differ from model shown.



lucca suite hang on the wall



Products protected from copying Patents 2386680, 2377752, 0510205.8. Registered designs 3009214, 3006217.

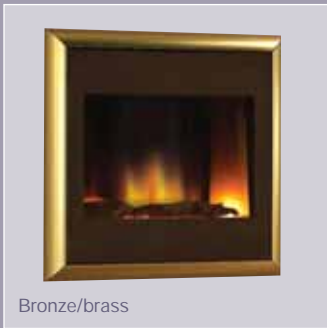


- Easy installation, simple wall brackets to surface mount suite
- Single socket can serve fire and separately switched side lights
- Glass screen, and aluminium extruded trim (choice of colours)
- Hidden heater technology 750W/1500W
- Multifunction remote control with dimmer
- Choice of fuel effects, either pebbles as standard, lava rock or driftwood as a cost option
- Surround colour: Portland
- Supplied remote may differ from model shown.

landscape fire hole in the wall



Silver/silver



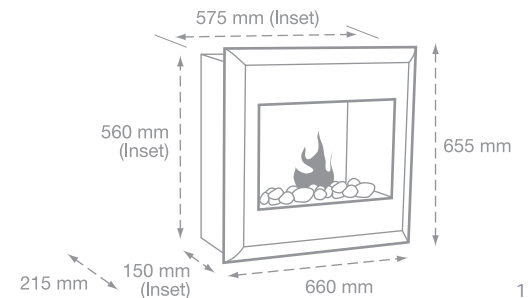
Bronze/brass



Black/black

Patents Granted 2386680, 2377752 Design registered 3009214, 3006217.

- Multifunction remote control including dimmer
- Hidden heater technology 750W/1500W
- Flame without heat setting
- Ease of access for bulb change
- Glass screen, and aluminium extruded trim (choice of colours)
- Curved flame effect
- Choice of fuel effects, either pebbles as standard, lava rock, or driftwood as a cost option
- Supplied remote may differ from model shown.



picasso suite hole in the wall



portrait fire

Hole in the wall fire also available separately.
Black/black or bronze/brass.

Fire dimensions:

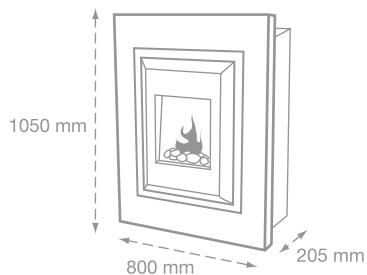
(h) 655 mm x (w) 485 mm x (d) 205 mm

Inset dimensions:

(h) 560 mm x (w) 390 mm x (d) 150 mm



Products protected from copying Patents 2386660, 2377752, 0510205.8. Registered Designs 3009214, 3006217.



- Easy installation, simple wall brackets to surface mount suite
- Single socket can serve fire and separately switched side lights
- Glass screen, and aluminium extruded trim (choice of colours)
- Hidden heater technology 750W/1500W
- Flame without heat setting
- Multifunction remote control with dimmer
- Choice of fuel effects, either pebbles as standard, lava rock or driftwood as a cost option
- Simple lamp change, no tools needed
- Surround colour: Portland
- Supplied remote may differ from model shown.



corello fires



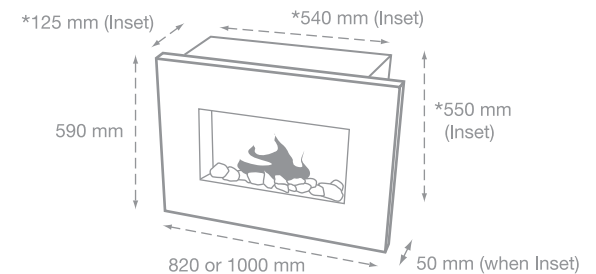
800 version in silver mirror with coal fuel effect.



Inset 1000 version in black mirror with pebbles

Products protected from copying Patents 2386680, 2377752, 0510205.8. Registered Designs 3009214, 3006217.

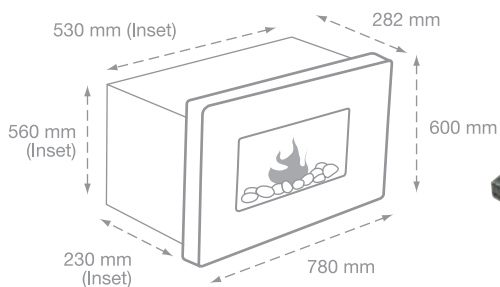
- Easy installation: can be wall mounted or recessed into shallow inset
- Includes "spacer" for wall mounting
- Remote on/off socket mounted control with mounting bracket for handset
- Flame without heat setting
- Hidden heater 1000W/2000W
- Choice of bright mirror or black mirror front panel (both with black body)
- Choice of two widths and either pebbles or coal fuel effect
- Simple lamp change
- * Please note, inset dimensions when back box/spacer is removed
- Wall mounted version: back box/spacer in place, wall 'footprint' xx mm x xx mm projection from wall
- Supplied remote may differ from model shown.



passion fire hole in the wall



Products protected from copying Patents 2386680, 2377752, 0510205.8, Registered Designs 3009214, 3006217.



- Tinted and toughened mirrored glass frame easily cleaned and scratch resistant, open fuel effect area
- Multifunction remote control including dimmer
- Hidden heater technology 1000W/2000W
- Flame without heat setting
- Choice of fuel effects either pebbles as standard, woodland log or driftwood as a cost option
- Supplied remote may differ from model shown.



vanity fire

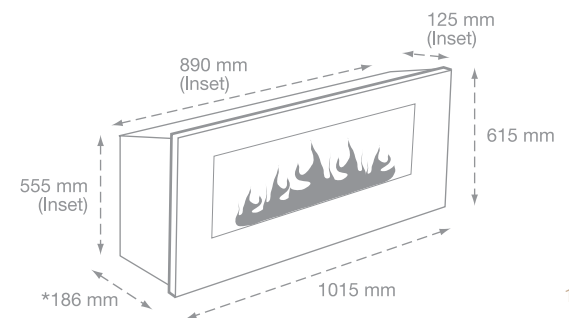


hole in the wall version



hang on the wall version

- Radical 'no fuel bed' flame image
- Minimalist mirror when flame turned off
- Can be wall mounted or inset
- Toughened glass mirrored front, easily cleaned and scratch resistant
- Multifunction remote control including dimmer
- 500W radiated heat from thermal glass
- Ease of access for maintenance
- New remote dimmable "Firewall" flame effect
- * Projection from wall when wall mounted
- Supplied remote may differ from model shown.

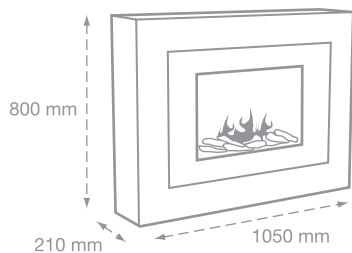


aspiration suite



driftwood shown in place of standard pebbles

Products protected from copying Patents 2386680, 2377752, 0510205, 8- Registered Designs 3009214, 3006217.



- Easy installation, simple wall brackets to surface mount suite
- Bright mirror front panel
- Multifunction remote control including dimmer
- Hidden heater 1000W/2000W
- Flame without heat setting
- Choice of fuel effects either pebbles as standard, lava rock or driftwood as a cost option
- Simple lamp change, no tools needed
- Surround colour: Portland
- Supplied remote may differ from model shown.



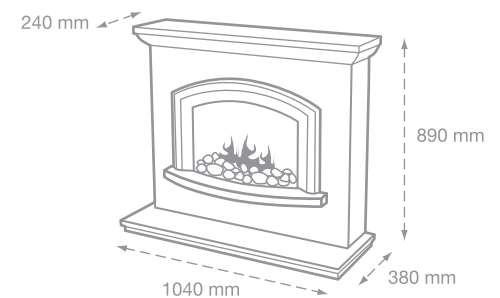
mercicia suite



Products protected from copying Patents 2386680, 2377752, 0510205.8; Registered Designs 3009214, 3006217.

additional driftwood shown with standard pebbles

- Easy installation, floor standing so no inset required
- Multifunction remote control including dimmer
- Flame without heat setting
- Hidden heater, 1000W/2000W
- Choice of fuel effects, either pebbles as standard, lava rock or driftwood as a cost option
- Simple lamp change, no tools needed
- Surround colour: Portland
- Supplied remote may differ from model shown.



havana suite



havana fire

Shown above with marbles and green lamps.
Also spacer available to avoid inseting fire.

Fire dimensions:

(h) 620 mm x (w) 535 mm x (d) 170 mm

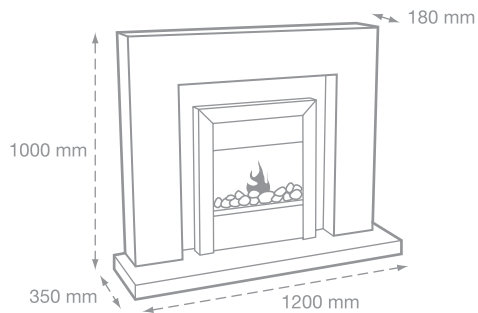
Inset dimensions:

(h) 570 mm x (w) 420 mm x (d) 105 mm



pebble fuel option

Products protected from copying Patents 2386680, 2377752, 0510205.8. Registered Designs 3009214, 3006217.



- Easy installation, floor standing so no inset required
- Multifunction remote control including dimmer
- Hidden heater, 1000W/2000W
- Choice of colour flame effects - natural, blue, red, yellow and green
- Flame without heat setting
- Choice of fuel effects, either pebbles as standard, lava rock or marbles as a cost option
- Simple lamp change, no tools needed
- Surround colour: Limestone
- Supplied remote may differ from model shown.

miami suite



miami fire

Available separately.
Shown with blue lamps.
Also spacer available to avoid inseting fire.

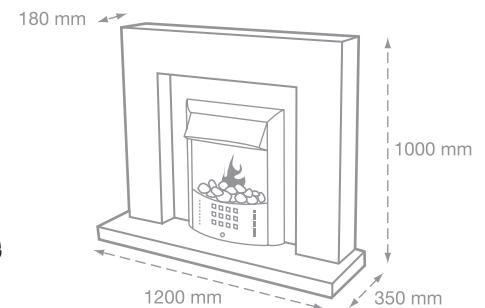
Fire dimensions:
(h) 610 mm x (w) 495 mm x (d) 225 mm
Inset dimensions:
(h) 560 mm x (w) 390 mm x (d) 70 mm



natural flame effect

Products protected from copying Patents 2386680, 2377752, 0510205.8. Registered Designs 3009214, 3006217.

- Easy installation, floor standing so no inset required
- Remote and manual on/off
- Standard with silver Miami fire but can be specified with other Flamerite inset fires
- Choice of colour flame effects - natural, blue, red, yellow and green
- Flame without heat setting
- Thermostatically controlled 2000W heater
- Choice of fuel effects, either pebbles as standard, lava rock or marbles as a cost option
- Simple lamp change, no tools needed
- Surround colour: Limestone
- Supplied remote may differ from model shown.



opera suite



operetta fire

As featured in Opera suite. Silver or brass and black. Also spacer available to avoid inseting fire.

Inset dimensions:

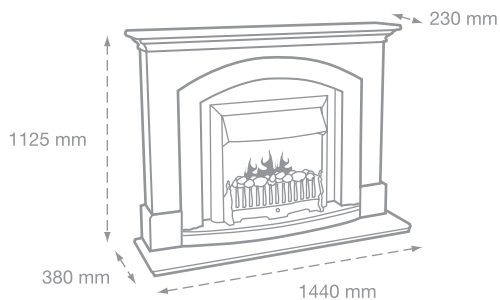
(h) 560 mm x (w) 570 mm x (d) 75 mm

Fire dimensions:

(h) 610 mm x (w) 670 mm x (d) 200 mm



Products protected from copying. Patents 2386680, 1.777.52, 05.10205-8. Registered Designs 3009214, 3006217.



- Easy installation, floor standing so no inset required
- Remote and manual on/off
- Flame without heat setting
- 2000W heater with thermostat
- Choice of fuel effects, coal or log
- Continental width for visual impact
- Choice of brass or silver fire
- Simple lamp change
- Surround colour: Marfil
- Supplied remote may differ from model shown.



low rise suite



low rise suite in oak with brass oreagn 2 shown wall mounted

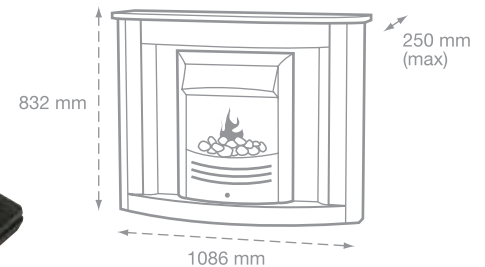
low rise oak suite



low rise suite in stone with silver mariner shown floor standing

Patents Granted 2377752 Design registered 3009214, 3006217, 3009212

- Easy installation, simple wall brackets to surface mount or can be floor standing
- Remote and manual on/off
- Choice of inset fires, shown above with mariner
- High-level switches
- Thermostatically controlled 2000W heater concealed in canopy
- Fuel effects pebbles as standard, lava and marbles as a cost option
- Surround colour: Portland
- Supplied remote may differ from model shown.



arcadia suite



glazer fire hole in the wall

Available separately.
Brass/black, silver/silver, or black/black

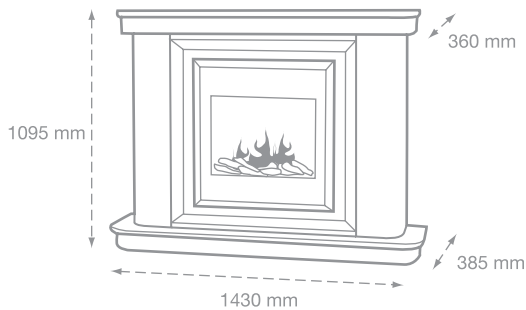
Fire dimensions:
(h) 735 mm x (w) 690 mm x (d) 260 mm

Inset dimensions:
(h) 560 mm x (w) 575 mm x (d) 150 mm



black/black fire option

Patents Granted 2386680, 2377752 Design registered 3009214, 3006217



- Easy installation, floor standing so no inset required
- Multifunction remote control with dimmer
- Flame without heat setting
- Hidden heater technology 750W/1500W
- Ease of access for bulb change
- Amber colour flames set behind glass screen
- Curved flame effect
- Choice of fuel effects, either pebbles as standard, lava rock, woodland log or driftwood as a cost option and choice of frame colour
- Surround colour: Portland
- Supplied remote may differ from model shown.

revelation suite



serene fire hole in the wall

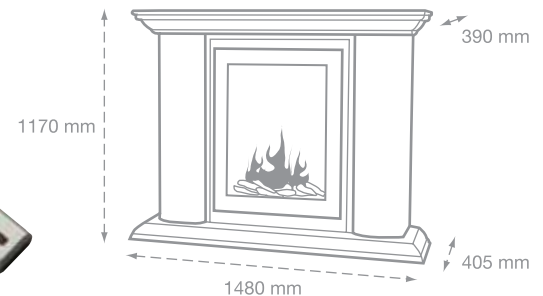
Available separately.

Fire dimensions:
(h) 946 mm x (w) 707 mm x (d) 280 mm
Inset dimensions:
(h) 930 mm x (w) 600 mm x (d) 250 mm



Patents Granted 2386680, 2377752, Design registered 3009214, 3006217

- Easy installation, floor standing so no inset required
- Multifunction remote control with dimmer
- Hidden heater technology, 1000W/2000W
- Flame without heat setting
- Ease of access for bulb change
- Amber colour flames set behind a glass screen
- Curved flame effect
- Choice of fuel effects, either pebbles as standard, lava rock, woodland log or driftwood as a cost option
- Surround colour: Portland
- Supplied remote may differ from model shown.



vega suite



isis fire hole in the wall

Available separately.

Fire dimensions:

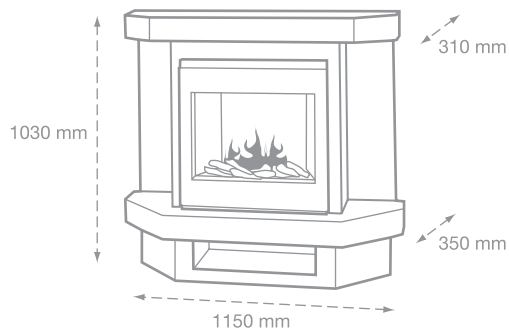
(h) 590 mm x (w) 605 mm x (d) 280 mm

Inset dimensions:

(h) 560 mm x (w) 530 mm x (d) 230 mm



Patents Granted 2386680, 2377752 Design registered 3009214, 3006217



- Easy installation, floor standing so no inset required
- Open fronted
- Multifunction remote control with dimmer
- Hidden heater technology, 1000W/2000W
- Flame without heat setting
- Ease of access for bulb change
- Curved flame effect
- Choice of fuel effects, either pebbles as standard, lava rock, woodland log or driftwood as a cost option
- Surround colour: Cotswold
- Supplied remote may differ from model shown.



manhattan suite

Patents Granted 2377752

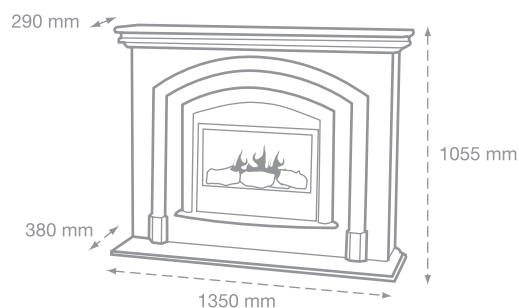


atlanta fire hole in the wall

Available separately.

Fire dimensions:
(h) 525 mm x (w) 635 mm x (d) 230 mm

Inset dimensions:
(h) 495 mm x (w) 520 mm x (d) 210 mm



- Easy installation, floor standing so no inset required
- Multifunction remote control with dimmer
- 1000W/2000W heat selection
- Flame without heat setting
- Ease of access for bulb change
- Log fuel effect
- Surround colour: Limestone

• Supplied remote may differ from model shown.



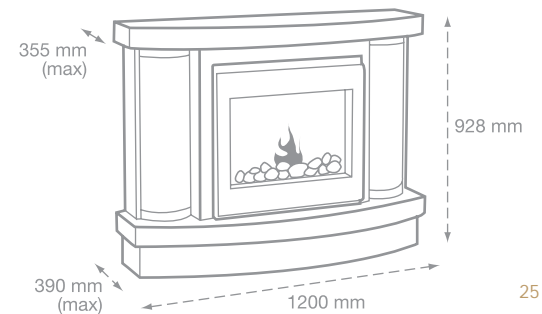
oberon suite



Patents Granted 2386680, 2377752 Design registered 3009214, 3006217

the oberon features the isis fire

- Easy installation, floor standing so no inset required
- Open fronted
- Multifunction remote control with dimmer
- Hidden heater technology, 1000W/2000W
- Flame without heat setting
- Ease of access for bulb change
- Curved flame effect
- Choice of fuel effects, either pebbles as standard, lava rock, woodland log or driftwood as a cost option
- Surround colour: Cotswold
- Supplied remote may differ from model shown.



tabular fire



silver/silver



black/black

tabular fire

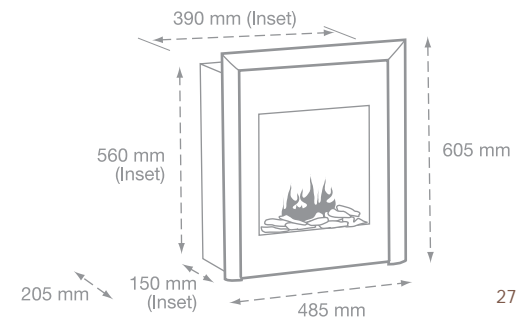
Spacer also available to avoid
insetting fire.



bronze/brass fire option

Patents Granted 2377752 Design registered 3009214, 3009213

- Contemporary inset fire • Glass screen, and aluminium extruded trim (choice of colours)
- Multifunction remote control with dimmer • Hidden heater technology 750W/1500W • Flame without heat setting • Ease of access for bulb change • Curved flame effect • Choice of fuel effects, either pebbles as standard, lava rock, or driftwood as a cost option
- Supplied remote may differ from model shown.



neptune suite



neptune fire

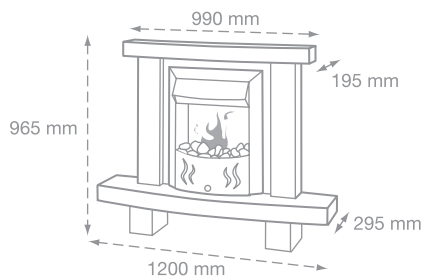
Also available separately as inset, shown here in brass.

Spacer available to avoid inseting fire.

Fire dimensions and inset dimensions as mariner opposite.



Patents Granted 2377752, Design registered 3006217, 3004950



- Easy installation, floor standing so no inset required
- Remote and manual on/off
- Standard with silver Neptune fire but can be specified with other Flamerite inset fires
- Choice of colour flame effects - natural, blue, red, yellow and green
- Flame without heat setting
- Thermostatically controlled 2000W heater
- Choice of fuel effects, either pebbles as standard, lava rock or marbles as a cost option
- Simple lamp change, no tools needed
- Surround colour: Cotswold
- Supplied remote may differ from model shown.

mariner fire



black fire option



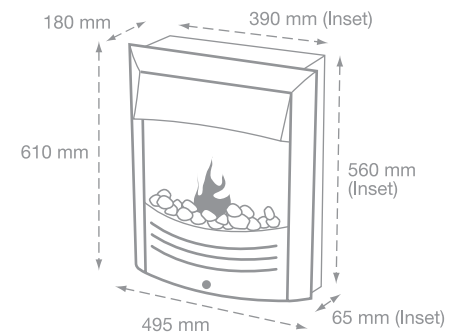
brass fire option



silver fire option

Patents Granted 2377752 Design registered 3006217, 3004950

- Contemporary inset fire • Remote and manual on/off • Choice of colour flame effects - natural, blue, red, yellow and green • Flame without heat setting • Thermostatically controlled 2000W heater • Choice of fuel effects, either pebbles as standard, lava rock or marbles as a cost option • Simple lamp change, no tools needed
- Supplied remote may differ from model shown.



cascade suite



cascade fire

Available separately as inset.
Spacer available to avoid inseting fire.

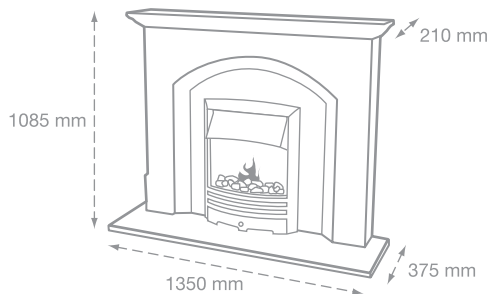
Fire dimensions:
(h) 615 mm x (w) 500 mm x (d) 180 mm

Inset dimensions:
(h) 560 mm x (w) 390 mm x (d) 70 mm



silver fire option

Products protected from copying Patents 2386680, 2377752, 05102058; Registered Designs 3009214, 3006217.



- Easy installation, floor standing so no inset required
- Remote control on/off
- 2000W thermostatically controlled heater, concealed under canopy
- "Chrome" silver, brass or black finish to Cascade fire
- Surround colour: Portland
- Supplied remote may differ from model shown.



berkeley 2 & stanford 2 fires

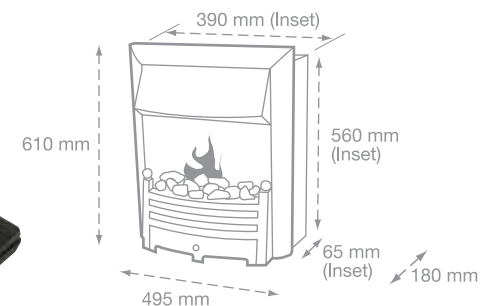


berkeley 2



stanford 2

- Inset fires with ultra slim 65 mm inset • Remote control on/off • 2000W thermostatically controlled heater concealed under canopy • Choice of fuel effects, coal or log • Wall spacer available • Berkeley 2 available with polished convex three sided frame in brass or silver
- Convex hood line • Stanford 2 available with brushed concave three sided frame in brass or silver, straight hood line • Supplied remote may differ from model shown.



olympia suite



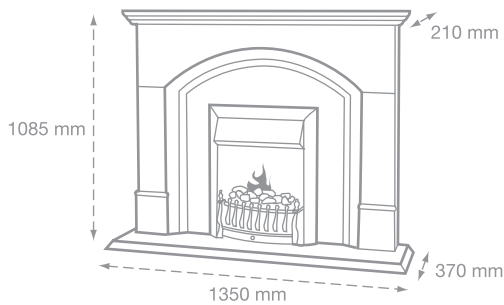
oregon 2 fire

Available separately,
shown here in silver with log fuel effect
and spacer (details opposite).



Patents Granted 2377752 Design registered 3009214, 3009213

brass oregon 2 option



- Easy installation, floor standing so no inset required
- Remote control on/off
- 2000W thermostatically controlled heater, concealed under canopy
- Silver or brass finish to Oregon 2 fire
- Surround colour: Portland
- Supplied remote may differ from model shown.



oregan 2 & burano fires



oregan 2

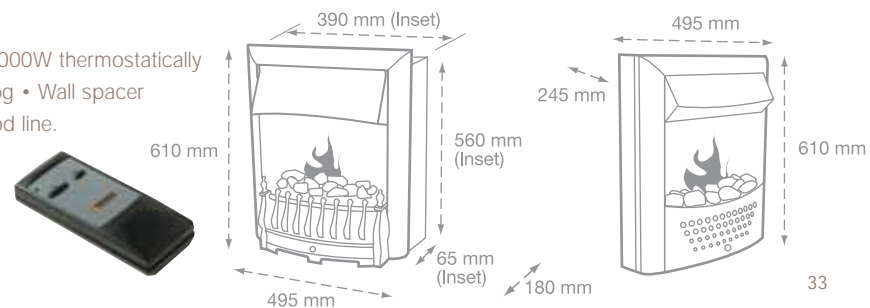


burano

Oregon 2 • Inset fire with ultra slim 65mm inset • Remote control on/off • 2000W thermostatically controlled heater concealed under canopy • Choice of fuel effects, coal or log • Wall spacer available • Brushed convex three sided frame in brass or silver, concave hood line.

Burano fire • Easy to install with no inset required • Maple wood frame and spacer compliments contemporary silver fire • Themostatically controlled 2000W heater • Remote and manual on/off • Supplied with pebbles as standard, lava rock, marbles and driftwood as a cost option

• Supplied remote may differ from model shown.



apollo fire

Patents Granted 2377752 Design registered 3006217, 3004950



silver fire option with blue lamps



brass fire option with natural lamps

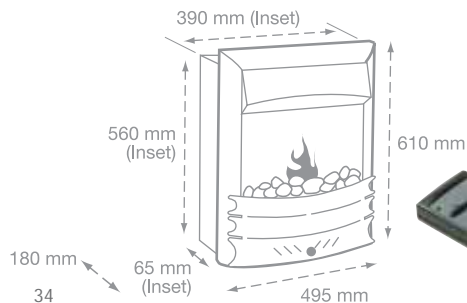


award winning design

We are committed to providing the independent retailer with the most innovative range of electric fires and suites.

Strict quality control procedures are adhered to at all stages of manufacturing and ongoing design development ensures that our product range meets both existing and emerging market demands.

- Odyssey Suite 2002
- Pioneer Stove 2003
- Odyssey Fire 2002
- Glazer Fire 2004
- Europa Suite 2003
- Jericho Suite 2005
- Solar Flare Fire 2003
- Akira Fire 2005



- Contemporary inset fire
- Remote and manual on/off
- Choice of colour flame effects - natural, blue, red, yellow and green
- Flame without heat setting
- Thermostatically controlled 2000W heater
- Choice of fuel effects, either marbles as standard, lava rock as a cost option
- Simple lamp change, no tools needed
- Supplied remote may differ from model shown.

